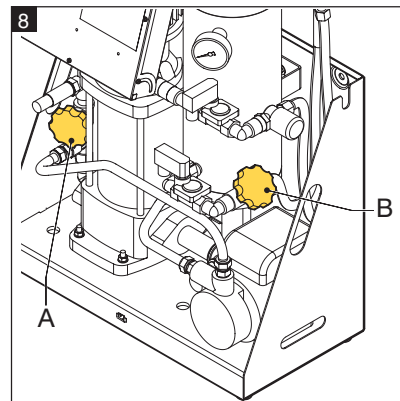
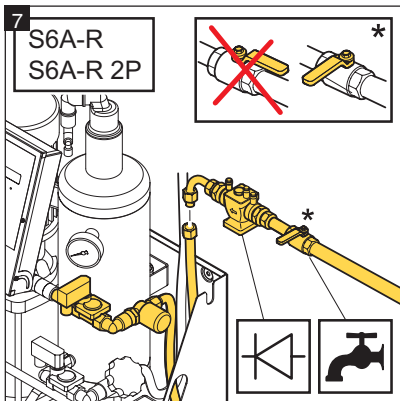
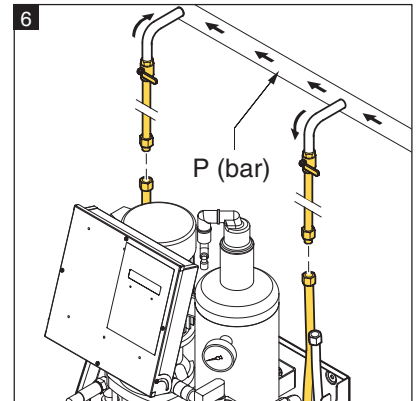
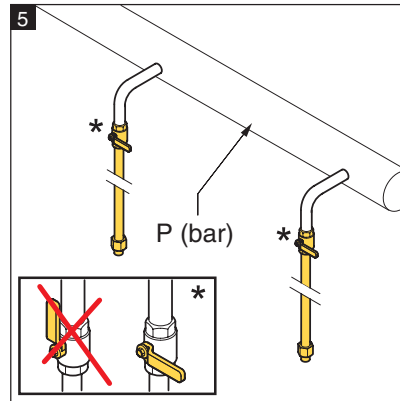
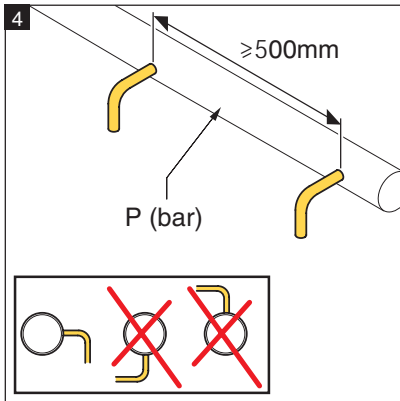
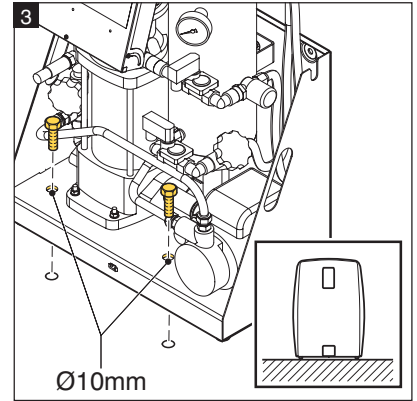
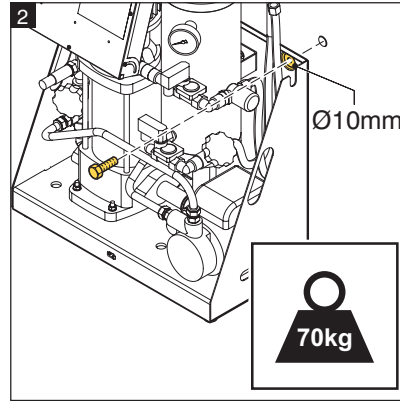
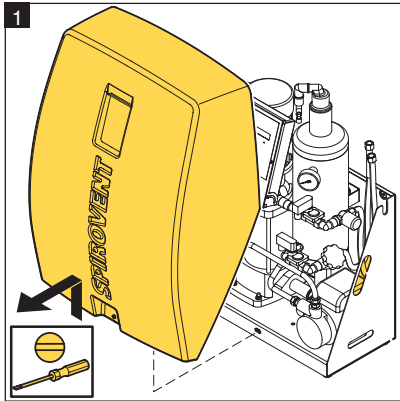


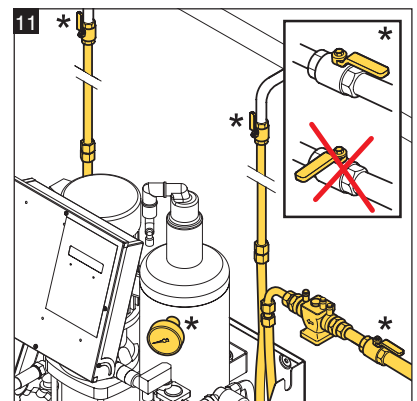
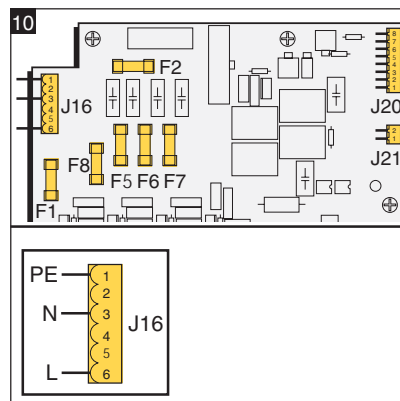
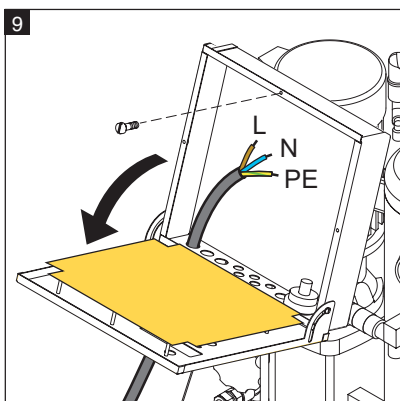


Quick install guide

Spirovent Superior S6A/S6A-R/S6A-R 2P



A	P (bar)		B
	water	water/glycol	
2	1-2		3
2,5	2-3		2,5
6	3-4		2,25
6	4-5		2
6	3-6		1,75
2		1-2	6
2,5		2-3	6
6		4-6	6





Quick install guide

Spirovent Superior S6A/S6A-R/S6A-R 2P

SPIROTECH

