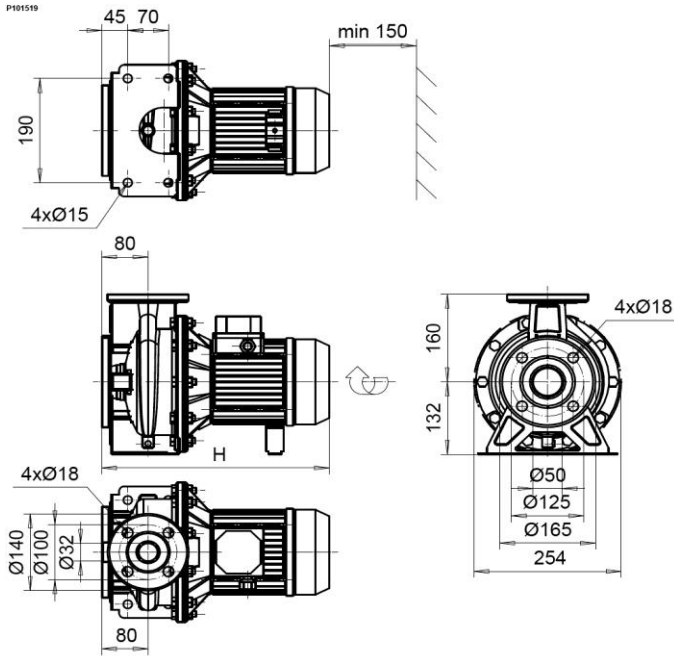


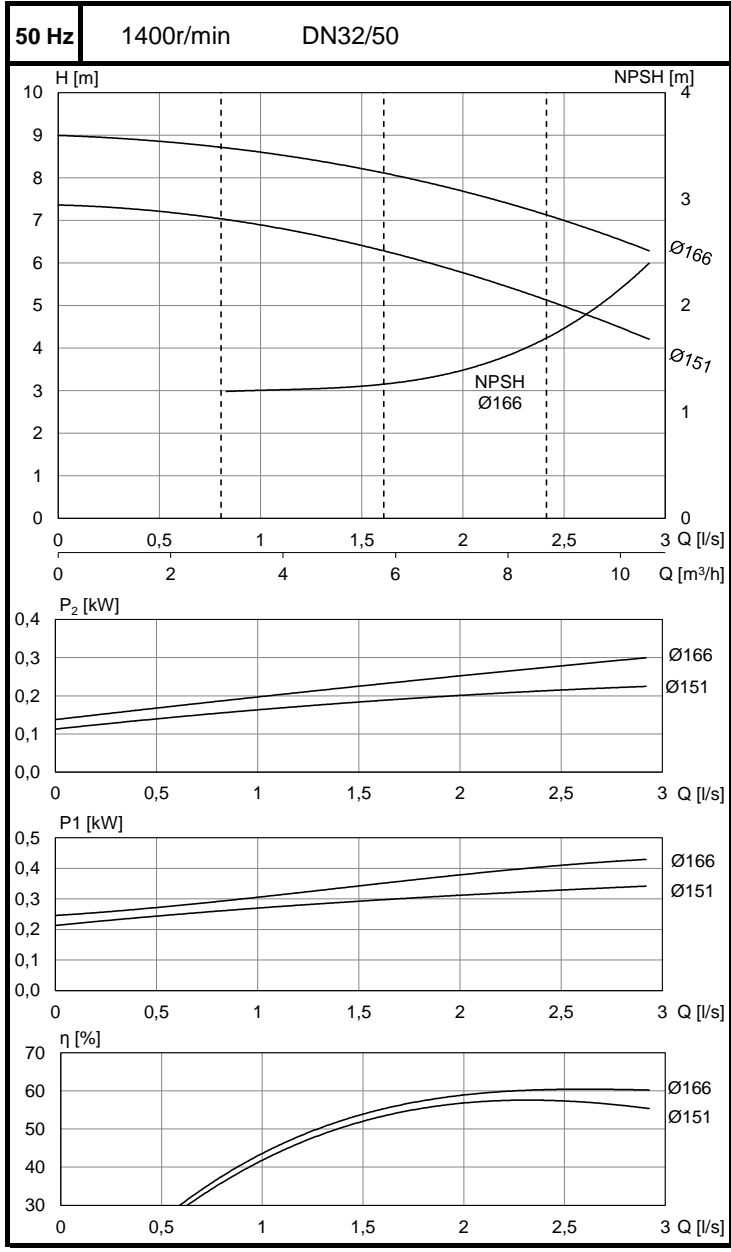
KD-32-160/4

K-32-160/4

KM-32-160/4



ZH05	P_{2N}	I_N 400V	m	H
	[kW]	[A]	[kg]	[mm]
	0,37	1,2	32	393



60 Hz is not available