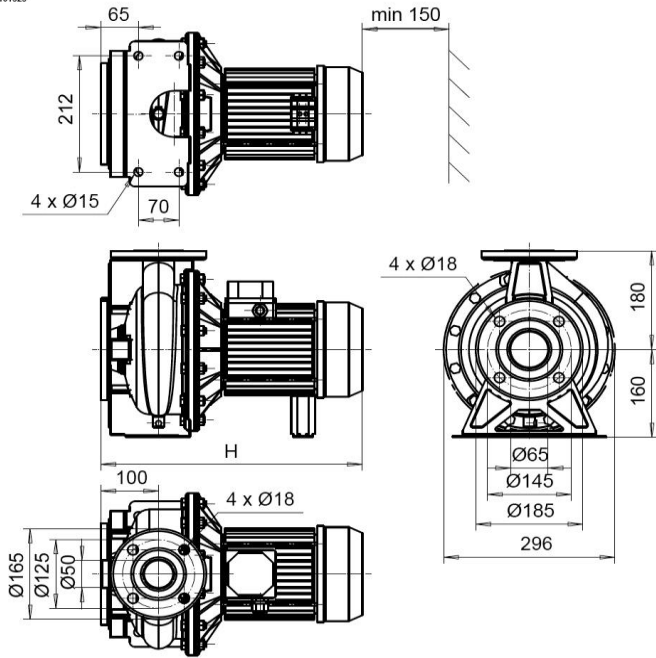


KD-50-160/4

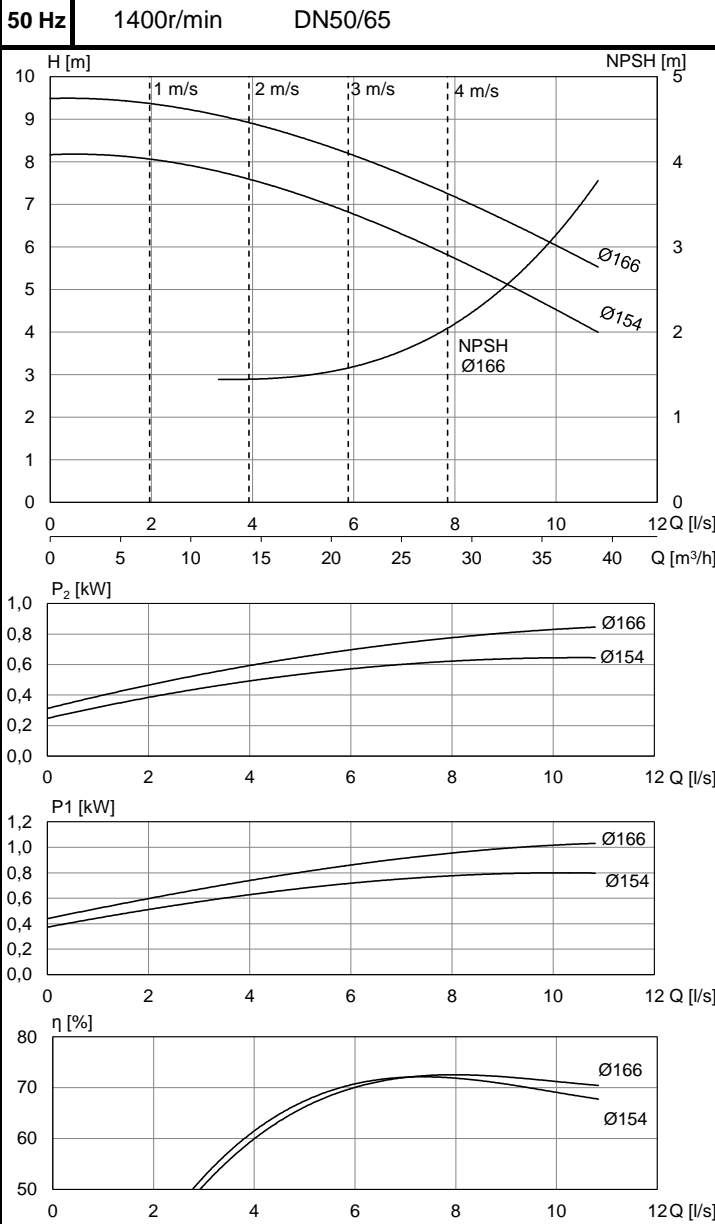
K-50-160/4

KM-50-160/4

P101525



ZH05	P_{2N}	I_N 400V	m	H
	[kW]	[A]	[kg]	[mm]
	1,1	2,5	43	452



60 Hz is not available