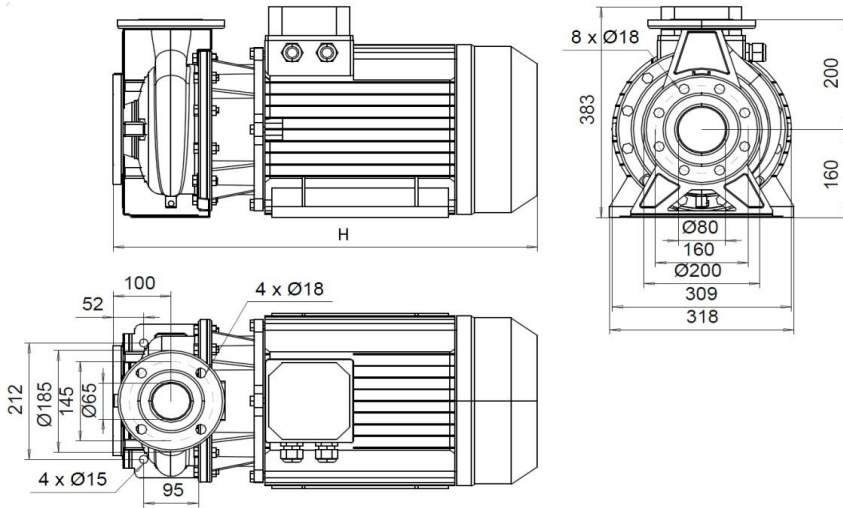


**KD-65-160/2**

**K-65-160/2**

**KM-65-160/2**



ZH05	$P_{2N}$	$I_N$ 400V	m	H
	[kW]	[A]	[kg]	[mm]
	7,5	13,6	74	559
	11	21,3	88	595
	15	27,7	130	732

ZH09	$P_{2N}$	$I_N$ 400V	m	H
	[kW]	[A]	[kg]	[mm]
	9,2	17,7	72	595
	11	18,3	88	595
	15	28,7	130	732

Min 150 mm free space required at the end of the pump

