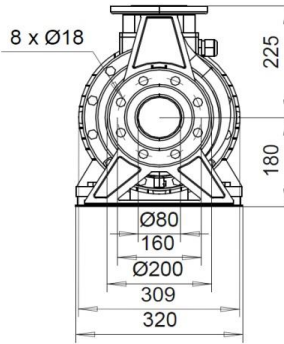
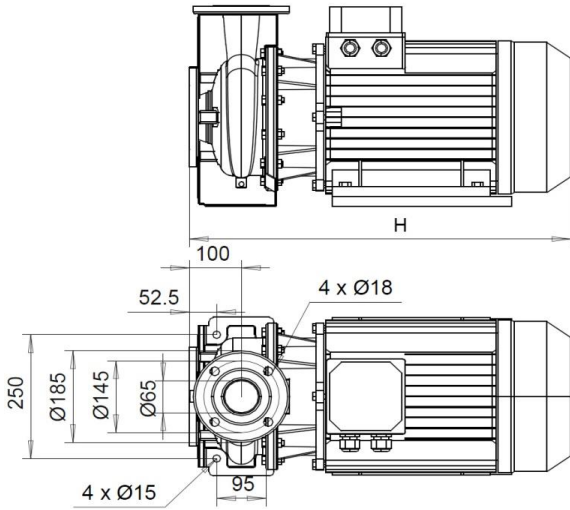


**KD-65-200/2**

**K-65-200/2**

**KM-65-200/2**



ZH05	$P_{2N}$	$I_N$ 400V	m	H
	[kW]	[A]	[kg]	[mm]
	15	27,7	130	732
	18,5	35,0	147	732
	22	39,7	159	732

ZH09	$P_{2N}$	$I_N$ 400V	m	H
	[kW]	[A]	[kg]	[mm]
	15	28,7	123	732
	18,5	34,8	137	732
	22	41,7	145	732

**Min 150 mm free space required at the end of the pump**

